



GLOBAL VALVE TECHNOLOGY

Volumetric Rotary Piston Water Meter



◆ LXH-20S(DN20)
NON-TESTABLE

Application

- ◇ Measuring the volume of cold potable water passing through the pipeline.

Features

- ◇ Ensures high sensitivity and accurate registration throughout a wide flow range.
- ◇ Mechanical transmission movement equates to maximum reliability.
- ◇ Corrosion resistant body.
- ◇ Liquid-sealed register.
- ◇ Easy reading and long term clear reading.
- ◇ Low starting flow rate.
- ◇ Internal non return valve.
- ◇ Internal strainer.
- ◇ Can be equipped with reed switch option.

Indication

- ◇ Cubic meter(m³) and U. S. gallon (USG) for selecting.

Compliance with Standard

- ◇ Technical data conforms to ISO 4064 Class C Standard.

Working Conditions

- ◇ Water temperature: ≤40°.
- ◇ Water pressure: ≤1.6MPa.



Main Technical Data

Nominal diameter	DN	20	
Maximum flow rate	m ³ /h	Qmax	5.0
Nominal flow rate	m ³ /h	Qn	2.5
Transition flow rate	l/h	Qt	37.5
Minimum flow rate	l/h	Qmin	25
Maximum reading	m ³		9999.9999
Minimum reading	m ³		0.0001
Minimum graduation	L		0.02

Maximum Permissible Error:

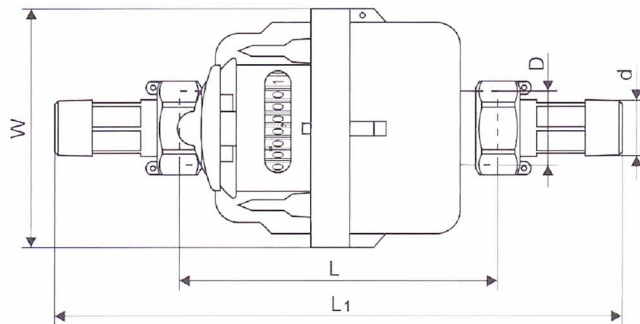
- ◇ In the lower zone from Qmin inclusive up to but excluding Qt is ±5%.
- ◇ In the upper zone from Qt inclusive up to and including Qmax is ±2%.

Dimensions and Weights

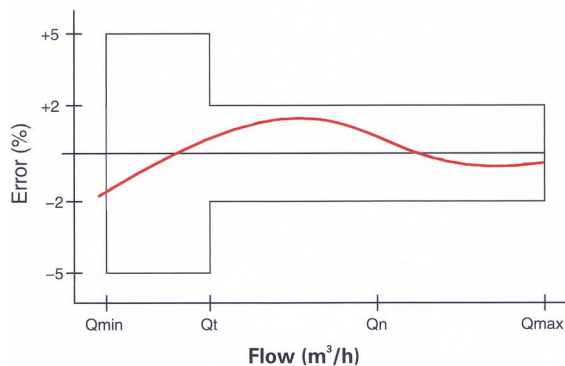
Nominal diameter	DN	20	
Body thread	D	KS80x3	
Connector thread	d	WHITWORTH 14 TPI Thread	
Body length	mm	L	154
Overall length	mm	L1	270
Width	mm	W	96
Weight without connectors	Kg		1.2
Weight with connectors	Kg		1.48

◇ "L1" is the total length when coupling gaskets without compression.

Dimension Picture



Accuracy Curve



◇ Nominal diameter and arrow are indicated on the side of the body, which we can see from dimensions picture.

◇ Maximum flow rate and arrow are indicated on the other side.

For example:

Head Loss Curve

